

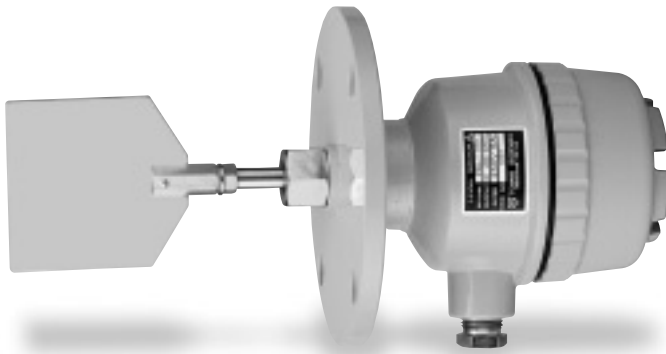
ROTARY PADDLE TYPE LEVEL SWITCH

Since our founding in 1969, we have been a leader in power technology specializing in level meters.

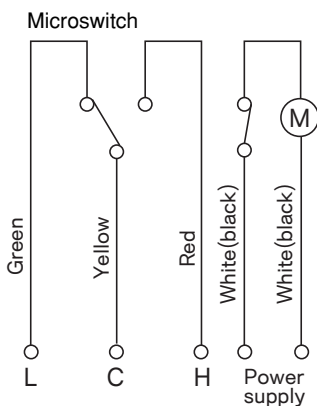
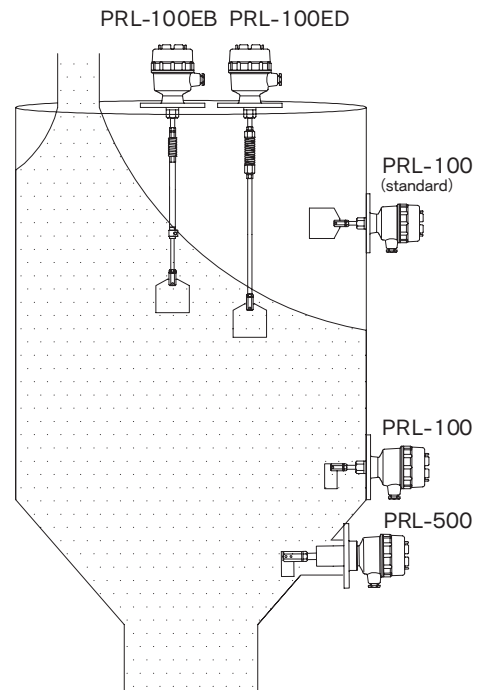
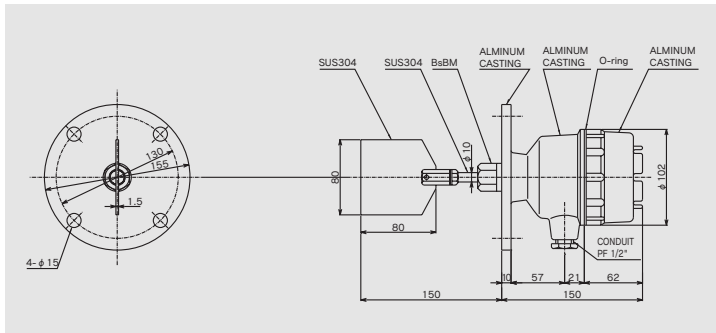
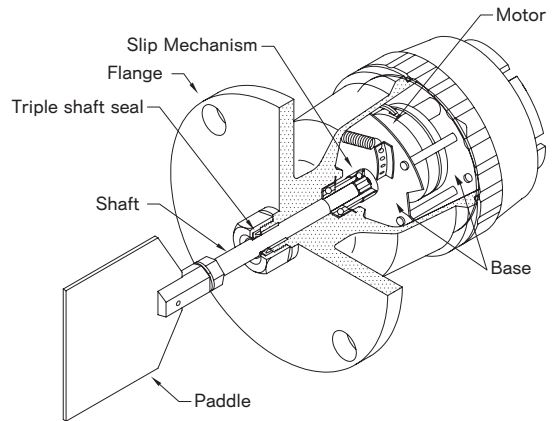
Our expertise has enabled us to radically improve paddle type level switches, and we maintain an ongoing high market share by providing different unique products to meet diversified customer needs.

FEATURES

- ※ **No calibration required**
- ※ **Wide range detection for Low density to high density of materials.**
- ※ **Simple mechanism, Robust against vibration and shock, Low cost, easy to install and setup.**



PRL-100

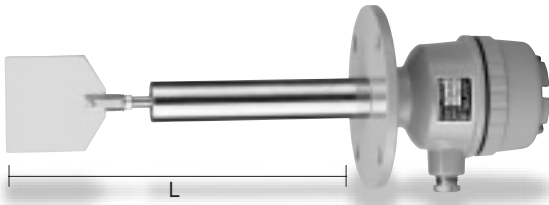


Standard circuit
AC100 / 110V or AC110V
AC200 / 220V or AC220 / 240V

Supply voltage	AC100/110V 50/60Hz AC200/220V 50/60Hz Manufactured based on your selected voltage.	Material	Case and flange Aluminum alloy Shaft and paddle SUS-304 Seal Nitrile rubber
Mounting	PRL-100 Flange JIS 5K65A PRL-170 Thread M30 P2	Temperature ranges	Tank inside Max70°C Tank inside Max55°C
Power consumption	2.5W	Max.pressure	Tank inside 0~196kPa
Contact output	1C contact250V AC6A(resistance load)	Painted color	Munsell 10YR7.5/14
Detection torque	Approx 9.8N·cm	Mechanical protection	IP65
Slip torque	Approx 24.5~29.4N·cm		
Revolutions perminute	1R.P.M		

PRL-101

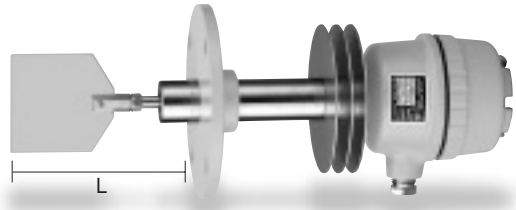
Protecting tube type for longer shaft



Standard length:L-250,300,600,1000mm
 Option length:each started 50mm, up to 2000mm
 Side mounting:up to 500mm recommended

PRL-200

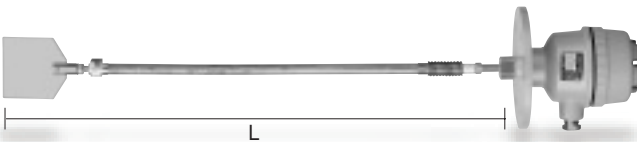
For high temperature materials
 Max.200°C (Max.400°C PRL-200S)



Standard length:L-150mm
 Option length:each started 50mm, up to 2000mm
 Model:PRL-201
 Air-purge version available

PRL-100EB & PRL-100ED

Top mounting for high level point with adjustable extension shaft vertical mount



PRL-100EB

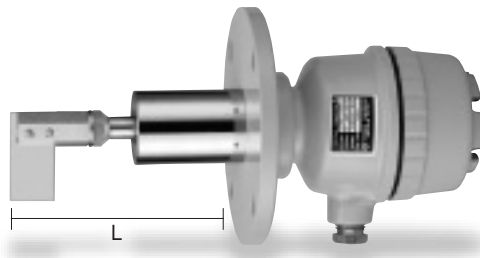
- L-450~600mm
- L-650~1000mm
- L-750~1200mm

PRL-100ED

- L-1000~1500mm
- L-1200~2000mm
- L-1500~2500mm
- L-1700~3000mm
- L-2000~3500mm
- L-2200~4000mm

PRL-500

Heavy duty version for tall storage tank



For side mount or top mount longer shaft available
 Standard length:150mm
 Longer shaft:up to 4000mm, each started 50mm
 (Model:PRL-501)
 High temperature version:PRL-500H or PRL-501H

We have many other types available, so please feel free to contact us.

Model description

PRL- [] [] [] []

type	
1	Basic
2	Heat-proof
3	suspe naiko
5	Load proof

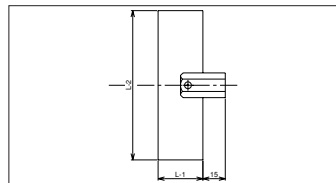
Mounting flange material	
0	Standard materials Aluminum alloy
2	Mounting face plate with SUS-304
3	Mounting face plate with SUS-316
4	Made of SUS-304
5	Made of SUS-316
6	Other special materials
7	Screw-in mount
8	Mounting face : Plate with titanium

Supporting pipe material	
0	None
1	Made of SUS-304
2	Made of SUS-316
4	Titanium

W	Only 500 type(wire type)
S	Special type
EB	Adjustable type(only 100 type)
ED	Adjustable type(only 100 type)

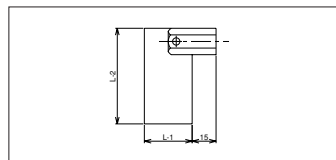
Both paddle

Name	Size L1×L2
W-1	80×80
V-1	30×100
V-2	30×60
V-3	30×80
V-4	80×130



Single paddle

Name	Size L1×L2
S-1	30×60
S-2	30×80
S-3	80×60
S-4	80×80



In addition to the above aizea, we manufacture paddle of other size
 Hinged Paddle F(45×200)

